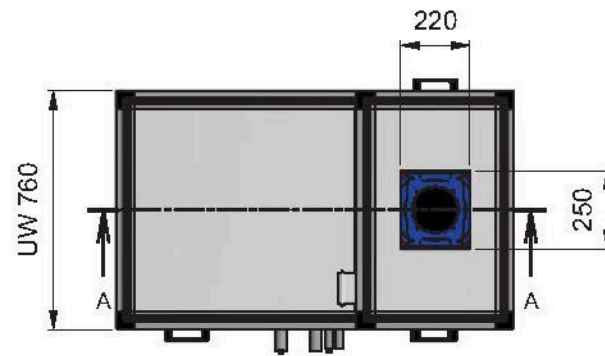
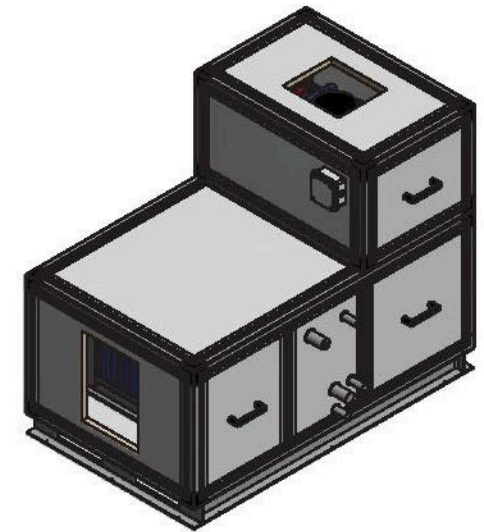
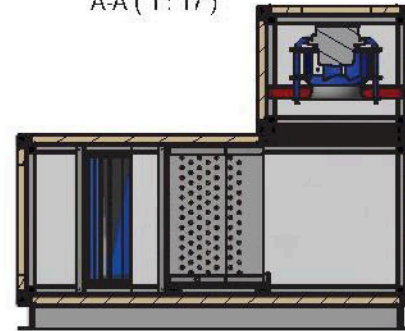




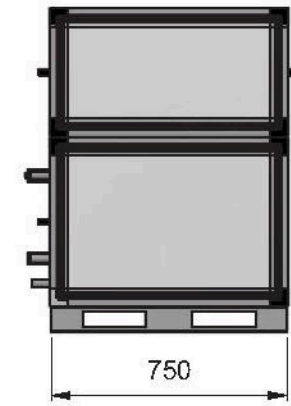
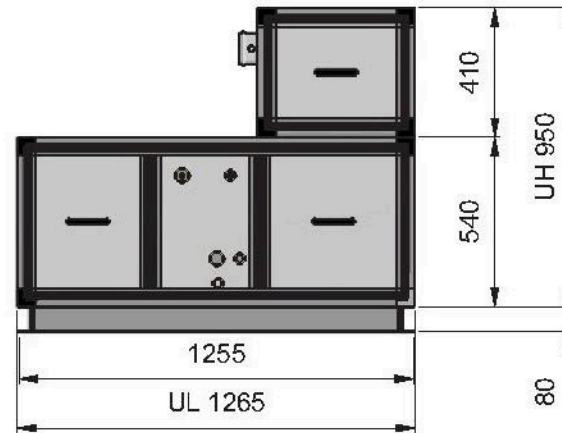
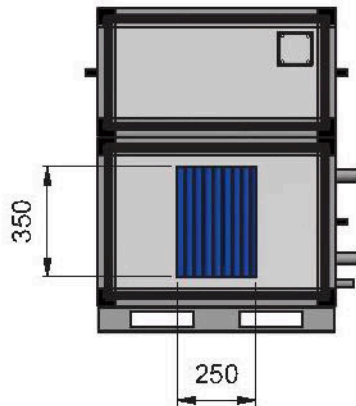
View ISO 1(1:17)



A-A (1:17)



View ISO 2(1:17)



MAX S/A (HORIZONTAL) : 220X250mm

UNLESS OTHERWISE SPECIFIED
DIMENSIONS ARE IN MILLIMETRES
BOLD AND OBLIQUE ALL DIMENSIONS



3rd ANGLE
PROJECTION

DO NOT SCALE DRAWING

Rev	By	Date	Description
X00	Leon	4/19/2017	Initial Released

Fantech Pty Ltd. © A.C.N. 095 434 024 45 NESTOR DRIVE, MEACOWBROOK, QUEENSLAND AUSTRALIA 4133 TELEPHONE (07) 32 999 938 FACSIMILE (07) 32 999 800				
DRAWN: Leon DATE: 2017/7/22 CHECKED: Sean DATE: - APPRD: JT DATE: -	General Layout, Cabinet, ML1B-V202-DA-FPL GR25C(Y73721)X1 SLIMthem SLV 0300			
DRAWING NO: 869-3004-0202		REV: /00	SCALE: 1:17	SIZE: A3